



SPORTSTER
XL 883



World's Finest Products For Harley-Davidsons



WWW.CUSTOM-CHROME-EUROPE.COM













LSL Rear Set Controls for Sportster Models

This kit is a must for any high performance Sportster model. CNC-machined ergonomic rear sets provide the proper riding position. They work well with stock handlebars and there are no existing mounting holes on the stock frame. Silver anodized for strength and wear protection.

86013 Fits all Sportster models from 86-03

LSL Passenger Kit for Sportster Models

687665 Fits with CC #86013

CATALOG EDITION 44 PAGE 3.13

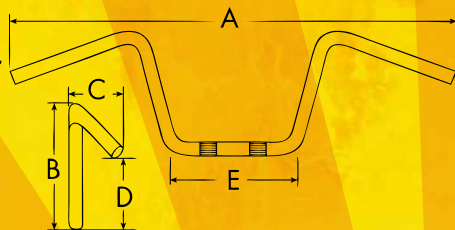


TRW

Lucas



Speedfighter



with dimples



Handlebar Measurements in mm

	A	B	C	D	E
<i>Speedfighter</i>	870	75	85	80	200

Model	Alu-Look A
<i>Speedfighter</i>	696412



Ness-Tech Flush Mount Polyurethane Handlebar Dampener Kits

- Clean flush mount design
- Beautifully polished 303 stainless steel custom washers
- Soft durameter urethane bushing absorbs vibration
- Available with fine or coarse sockethead hardware

648303 Kit for coarse thread applications

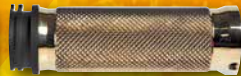
648304 Kit for fine thread applications



653653



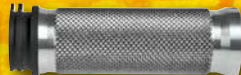
653652



653655



653654



653656

Thunderbike Base Grip Set

Not for models with drive by wire. Sold in pairs.

With throttle cable sleeve

653652 TB Base Grip Set Rubber polished

653653 TB Base Grip Set Rubber black

653654 TB Base Grip Set Brass polished

653655 TB Base Grip Set Brass black

653656 TB Base Grip Set Alu black





633266

Trio Risers by Biltwell

The Trio riser assembly has everything you need to clean up the top tree on 39mm and 41mm Harley hydraulic forks. Set includes two Slimline lower clamps, one Dogbone top clamp and four 5/16-18 allen cap screws. Fits stock top clamps with a 3.5" riser bolt spread.

633265 Trio risers polished

633266 Trio risers black



633265

CATALOG "EDITION 44" PAGE 442



RICK'S[®]
MOTORCYCLES



'Good Guys' Adjustable Lever Set By Rick's

Brake and clutch lever with 6 stage adjustable system and perfectly shape for an ergonomic ride. The end tip is as short and long version included, just choose what fits best to your needs. Precision manufacturing from Germany available in silver/black or all black version. Ultralight set with EG ABE.



- 619442** For Softail, Dyna, all black, 96-14
- 619443** For Softail, Dyna, black/silver, 96-14
- 619444** For Sportster 04-, all black, 04-14
- 619445** For Sportster ab 04, black/silver, 04-14
- 619446** For Touring, all black, 08-13
- 619447** For Touring, black/silver, 08-13
- 619448** For Touring 96-07, all black
- 619449** For Touring 96-07, black/silver
- 619450** For V-Rod 06-13, all black
- 619451** For V-Rod 06-14, black/silver
- 619452** For V-Rod 02-05, all black
- 619453** For V-Rod 02-05, black/silver

SMOOTH



2 TECH



CONCEALED BAR END MIRRORS by Joker Machines

Joker Machines concealed Bar End mirrors come with a 2- 1/4" diameter CONVEX mirror glass which provides you with exceptional rear visibility. Mirrors are completely CNC machined from billet aluminum (not cast), light-weight, strong, and fully adjustable in every direction to fit just about everyone. Each mirror requires one of Joker's expanding mount. Sold each.

- 653279** Smooth, black
- 653280** Smooth, chrome
- 653281** Smooth, clear anodized
- 653282** 2-Tech, black
- 653283** 2-Tech, chrome
- 653284** 2-Tech, clear anodized

I2 CATALOG'EDITION44*PAGE4:111



LED Turn Signal/Front Position Light ' Pen Head Double', E-Approved

W 47 x H 22 x D 21 mm

- 618410** Black metal housing, smoke lens, pair
- 618411** Chrome metal housing, clear lens, pair

CATALOG'EDITION44*PAGE5:77



TAILLIGHT FUNCTION

LED Taillight/Turn Signal 'Pen Head Double', E-Approved

W 47 x H 22 x D 21 mm

618405 Black metal housing, smoke lens, pair

618406 Chrome metal housing, clear lens, pair

CATALOG 'EDITION 44' PAGE 5.77



653051



653053

Taillight for Inside plates by Thunderbike

The perfect combination to Thunderbikes inside license plate program. Available in polished, black or flat black version.

License plate illumination

653051 License plate light, polished

653052 License plate light, black

653053 License plate light, flat black

CATALOG 'EDITION 44' PAGE 5.34



ORIGINAL
THUNDERBIKE
CUSTOMS

Thunderbike Side Mount License Plate Brackets "Long" & "Short"

The "Long" version comes Approval! Please order the license plates separately (683843-683850)

- 652979** Side Mount Long XL 04-14 black, Approval
- 652980** Side Mount Short XL 04-14 black
- 652981** Side Mount Long XL 91-03 black, Approval
- 652982** Side Mount Short XL 91-03 black

I4 CATALOG EDITION 44* PAGE 532





ORIGINAL
THUNDERBIKE
CUSTOMS

Inside License Plate Holder by Thunderbike

CNC machined from Billet aluminum, polished or powder-coated black. With holes for wiring harness (invisible mounting, frame system). For combination with our side mount license plate brackets and taillights. Available in black, flat black or polished in most common and country specific sizes.

- | | | | |
|---------------|--|---------------|---|
| 653007 | 18x20 cm, polished | 653028 | Norway, black (22x15 cm) |
| 653008 | 18x20 cm, black | 653029 | Norway, flat black (22x15 cm) |
| 653009 | 18x20 cm, flat black | 653030 | Denmark, polished (24x16,5 cm) |
| 653010 | 20x20 cm, polished | 653031 | Denmark, black (24x16,5 cm) |
| 653011 | 20x20 cm, black | 653032 | Denmark, flat black (24x16,5 cm) |
| 653012 | 20x20 cm, flat black | 653033 | Belgium, polished (14x17,4 cm), OLD STYLE |
| 653013 | 22x20 cm, polished | 653034 | Belgium, black (14x17,4 cm), OLD STYLE |
| 653014 | 22x20 cm, black | 653035 | Belgium, flat black (14x17,4 cm) |
| 653015 | 22x20 cm, flat black | 653036 | Switzerland, polished (18x14 cm) |
| 653016 | 24x20 cm, polished | 653037 | Switzerland, black (18x14 cm) |
| 653017 | 24x20 cm, black | 653038 | Switzerland, flat black (18x14 cm) |
| 653018 | 24x20 cm, flat black | 653039 | Sweden, polished (19,5x15,5 cm) |
| 653019 | Belgium NEW STYLE, Netherland, polished (21x14,3 cm) | 653040 | Sweden, black (19,5x15,5 cm) |
| 653020 | Belgium NEW STYLE, Netherland, black (21x14,3 cm) | 653041 | Sweden, flat black (19,5x15,5 cm) |
| 653021 | Belgium NEW STYLE, Netherland, flat black (21x14,3 cm) | | |
| 653022 | Austria, polished (21x17 cm) | | |
| 653023 | Austria, black (21x17 cm) | | |
| 653024 | Austria, flat black (21x17 cm) | | |
| 653027 | Norway, polished (22x15 cm) | | |



CATALOG 'EDITION 44' PAGE 735

BSL 'The Bomb V2' Skull Header Exhaust System

The System comes ready to install including headers, 4" muffler diffuser system with adjustable 5-windows sound system, brackets, polished heat shields, polished endcap and adapter rings to accommodate larger engine displacements. Mechanical sound system is included. Evo Big Twins must order sensor plugs separately. Black systems come flat black, not glossy as shown!

For Softail Evo Big Twins and Twin Cam Models with High Endcap

- 653529** Polished, with polished endcap and heat shields
- 653530** Black coated with polished endcap and heat shields



THE BOMB



For all Sportster Models (small aircleaner assys only) with Low Endcap

- 653531** Polished with polished endcap and heat shields
- 653532** Black coated with polished endcap and heat shields

For Dyna Twin Cam Models (small aircleaner assys only) with High Endcap

- 653533** Polished with polished endcap and heat shields
- 653534** Black coated with polished endcap and heat shields

Heat Shield Set

- 653535** 3-piece heat shield set, polished stainless steel
- 653536** 3-piece heat shield set, black coated stainless steel
- 653537** 3-piece heat shield set, stainless steel with skulls



Mikuni 'HSR42' and 'HSR45' Smoothbore Carburetors and Kits

Improve starting, rideability, power and torque. The adjustable accelerator pump and smoothbore design combine to give a big increase in air flow over the earlier 'HS40' for excellent throttle response in any riding situation. Other features include a two-piece throttle slide that rolls on stainless roller bearings, a lighter throttle return spring, a low-speed air screw, and an enlarged needle valve and float bowl. All kits are specifically designed for each application.

HSR42 'Easy' Carburetor Kits

High-performance kits mount to stock intake manifold and include the carburetor, adapters, air cleaner cover (where necessary), and detailed installation/tuning manuals.

23405 Fits 1200cc Sportster models from 94-03

CATALOG 'EDITION 44' PAGE 8.14



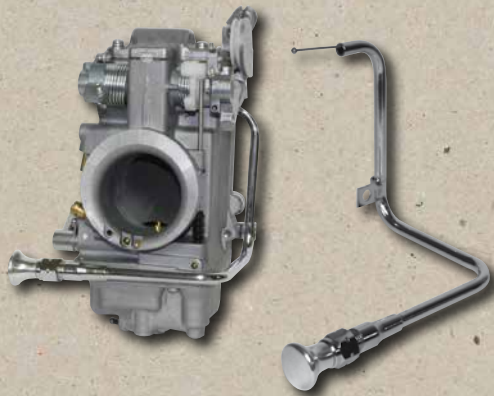
Chrome Air Cleaner Support Brackets

Replace the Original Equipment black plastic air boxes when installing custom air cleaners with flat backing plates, and are complete with gaskets and hardware.

Note: Brackets do not fit CC #'s 12028 or 19030 7" round air cleaners

629303 Fits XL models 88-06 (91-Up requires breather kit)

CATALOG 'EDITION 44' PAGE 8.49



Choke system for Mikuni Carburetors

Convenient choke system for all Mikuni HSR 42/45 carburetors, chromed.

685451 Choke system, chrome

CATALOG 'EDITION 44' PAGE 8.13



Custom Velocity Stack Air Cleaner

Do you like the looks of a velocity stack but don't want unfiltered air in your engine? Then this is your air filter, made of billet aluminum and available in chrome or black finish. Fits all CV Carb & EFI models, mounting kits sold separately.

629371 V-stack air cleaner black

CATALOG 'EDITION 44' PAGE 8.49



Rocker Cover "Ribsters" for Sportster, Big Twin Evo & Twin Cam Models

Add a touch of class on your bike with this "Ribsters" rocker covers for Sportster and Evolution engines. Aluminum cast, raw finish with CNC machined sealing surfaces. Check the clearance between the frame and the rear rocker boxes, a minimum distance of 8,5mm is required. Sold in pairs.

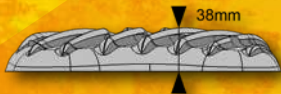
- 619762** For Evo Sportster models 86-03, raw
- 618483** For Evo Sportster models 86-03, black cut
- 619764** For Sportster models 04-14, raw
- 618484** For Sportster models 04-14, black cut
- 619766** For Evolution 1340 models 84-99, raw
- 618485** For Evolution 1340 models 84-99, black cut
- 618490** For all Twin Cam models 99-14, raw
- 618491** For all Twin Cam models 99-14, black cut



619762

Ribsters

CATALOG "EDITION 44" PAGE 986





S&S Cycle Sportster 883-1200 Cylinder & Piston Conversion Kit

Riders with 883cc engines can satisfy piston envy quickly and easily with the 883-1200 cylinder and piston conversion kit. Boost any 883cc Harley-Davidson Sportster to 1200cc with no machining or rebalancing your stock 883cc flywheels because of the pistons weights are the same as stock 883 pistons. Cylinder head modification is also not needed. The dished piston dome keeps compression down to a streetable 9.4:1 with stock 883cc heads. Installing this kit takes the same time as replacing a stock top end. It's just more fun when you're done. Fits 86-14 883cc Sportster models!

601365 Cylinder Kit, black 3-1/2" Bore,
4.650" x 3-13/16" Stroke

601366 Cylinder Kit, silver 3-1/2" Bore,
4.650" x 3-13/16" Stroke



CATALOG EDITION 44 PAGE 924

**CUSTOM
CHROME
EXCLUSIVE**



Aluminum Cast Point Covers By Wannabe Choppers

Cool Designs for newer 48 and 72 Sportster models and Jammer or Ribbed designs for older Sportster models with vertical mounting holes.

- 619872** 48 style with horizontal mounting holes
- 619873** 72 style with horizontal mounting holes
- 619874** Jammer style with vertical mounting holes
- 619875** Ribbed style with vertical mounting holes
- 619870** Ribbed style with horizontal mounting holes

CATALOG 'EDITION 44' PAGE 9:101



END

Ribsters

CATALOG EDITION 44 PAGE 1220

Primary Covers "Ribsters" for Sportster models

Primary "Ribsters" cover for Sportster models. Aluminum cast with CNC machined gasket surface. Models from 91 to 93 needs Müller clutch kit CCE # 687009. Sportster 04-05 models needs shifter sleeve kit CC # 655793

- 618479** For Sportster 91-03, 5-Speed models , raw
- 618480** For Sportster 91-03, 5-Speed models, black cut
- 618481** For Sportster 04-14, raw
- 618482** For Sportster 04-14, black cut



690204



690205

Café Racer Tail Section by Burly

The Sportster based Café Racer has become a style of its own, taking the classic look to new levels and doing it with a magic only a Harley can bring to the table. Yet, there's one key part that has been conspicuously absent and that's an authentic Café tail section. Not any more, as Burly Brand has crafted a unique seat/cowl designed to bolt right to your 86-03 Sportster. Available in partially covered with paintable black gel coat as well as a full covered version. Requires removal of fender, supporting struts and relocation of taillight and signals. Includes mounting hardware for OEM electronics.

690204 Café Sportster tail section partial cover 86-03

690205 Café Sportster tail section full cover 86-03

CATALOG'EDITION44"PAGE218



Prison Fairing for Sportster and Dyna Models

Made of fiber glas including brackets. Fits Sportster and Dyna models with 39 mm forks. Perfect for a cool Cafe Racer built!

619897 Prison Fairing, 87-14

CATALOG'EDITION44'PAGE5.19



Flip-Up Gas Caps by Joker Machine

Give your Harley or Triumph a super functional up-grade (and coolness) with one of our "flip-up" gas cap assemblies!

- Fully CNC machined from solid 6061-T6 aluminum
- Made with high quality aircraft grade stainless steel (no rust) components for trouble-free operation.
- Fits 96-up Sportsters and modern Triumphs.
- Available in raw, chrome, and hard black finishes.

619878 Flip-Up Gas Cap Smooth, raw

619879 FLIP-UP gas cap smooth, black

619880 Flip-Up Gas Cap Smooth, chrome

619881 Flip-Up Gas Cap 2 Tech, raw

619882 Flip-Up Gas Cap 2 Tech, black

619883 Flip-Up Gas Cap 2 Tech, chrome



619878



619882



619879



619883



CATALOG'EDITION44'PAGE1662



MIDNIGHT SERIES



RevTech Billet Wheels - T-5 'Midnight Series'

Size	T-5
19" x 2.15"	603818
18" x 3.50"	603814

RevTech Chrome and Black Anodized Billet Front Wheel Hubs

Year	Sportster Models	Axle Size	Black
00-07	All XL Models, Single Disc	3/4"	602506

RevTech Chrome and Black Anodized Billet Rear Wheel Hubs

Year	Sportster Models	Axle Size	Black
00-04	All XL Models	3/4"	602540



CATALOG 'EDITION 44' PAGE 1307

K60 Scout Tires by Heidenau/Germany

The K60 tire is a typical Enduro tire which offers a perfect grip on all undergrounds. The big blocks offer superior long lasting lifetime and the grooves a perfect self cleaning behavior. Perfect match to scrambler customs based on H-D models!

618444 K60 Scout tire 110/80 B19 M/C
59T TL M+S

618445 K60 Scout tire 140/80-18 M/C
70S TT M+S

Note: Caused by specific requirements on the tire, the profile of the K60 Scout varies between the single dimensions (as you can see in the pictures above)!

CATALOG 'EDITION 44' PAGE 1366



618444

618445



RevTech Hi-Performance Billet 4-Piston Brake Calipers

RevTech brakes provide the ultimate stopping power for your motorcycle, their performance will rival any other caliper in the market. They are CNC-Machined from billet aluminum, polished and then either chrome-plated or black anodized. Available for 11.8" & 11.5" disc applications to fit most Harley-Davidson models. Made in the U.S.A.



Front Caliper Kits

Fits all 00-11 Softail (except Springer) & Dyna, 00-07 Touring models and 00-03 XL

Black

697302

Left caliper for 11.8" & 11.5" disc on 00-13 Softail (except Springer) & Dyna, 00-07 Touring and 00-03 XL models, black

Rear Caliper Kits

Sportster Rear Caliper Kits

Black

697318

Rear caliper kit for all 00-04 XL Sportster models, black

**MIDNIGHT
SERIES**

MADE IN THE USA



Fit the Front of all Single and Dual Disc Models (except Buell, OEM V-Rod Wheels, 06-Up Dyna and 08-Up Touring Models) from 84-Up - 11.5" Diameter

603831

603831

T-5

11.5" Diameter fit the rear of all Big Twin 81-14 & Sportster 81-14 with original 11.5" rear disc (except 81-99 & 08-Up Touring Models)

603833

T-5

CATALOG 'EDITION 44' PAGE 1393

**MIDNIGHT
SERIES**

MADE IN THE USA



T-5 'Midnight Series'

RevTech Belt Pulleys

Year	Touring Models	Width	Tooth	T-5 'Midnight Series'
07	FLHT/FLHR/FLTR	1"	66	603826

CATALOG 'EDITION 44' PAGE 1327

Joker
MACHINE



Steering Bolt Collar by Joker Machine

Replace that ugly stock screw with this sharp looking kit. Comes with screw and collar. For all XL models.

684979 Black trim collar

684980 Chrome trim collar

CATALOG 'EDITION 44' PAGE 15.16



Joker
MACHINE



Joker Machine Fork Tube Plugs

Joker Machine fork tube plugs for Sportster models with 39 mm fork tubes. Available in clear or black anodized finish. Sold in pairs.

653789 Clear 39 mm ø

653790 Black 39 mm ø

CATALOG 'EDITION 44' PAGE 15.19



LOWBROW
CUSTOMS
Where the action is!



Fork Shrouds by Lowbrow Customs

Clean up the look of your front end with Lowbrow 39 mm Fork Shrouds. Fits all 39 mm narrow glide forks, and with the included allen hardware it is an E-Z bolt-on installation. Requires front fender removal, but that's ok, your bike looks better without it. Shave those lower fork legs while you are at it and now you are really looking slick.

619795 Black electroplated

619796 Chrome plated

619797 Raw steel

CATALOG 'EDITION 44' PAGE 1527



ADVANCED SUSPENSION TECHNOLOGY

S36 Twin Shock

For bikes with twin dampers Öhlins developed the S36 twin shocks. As with all Öhlins shock absorbers these are specifically built and designed for each model in the Öhlins application list. The dampers are of emulsion or monotube design with or without length adjuster and two way adjustable. The Piston Diameter of this S36 Twin Shock absorber is 36 mm. The shock absorber is developed and suitable as a great upgrade to bikes running twin dampers. The S36 Twin shock comes in different configurations depending on the bike model it was designed for.

Part#	Model	Year	Type	Length in mm	Spring color
655788	XL Sportster	00-14	S36PR1C1LB	360 +10/-0	yellow

S36PR1C1LB

Monotube high pressure gas type shock absorber with external "piggy back" reservoir. Adjustable rebound damping (adjuster wheel is located above the end eye). Adjustable compression damping (adjuster is located on the reservoir). The length of this shock absorber is adjustable. Integrated hydraulic spring preload adjuster.

CATALOG "EDITION 44" PAGE 1550



MADE IN THE USA



Performance Fork Springs by Progressive Suspension

Progressively-wound springs are made using the finest spring material with a Manufacturer's Lifetime Warranty. They eliminate sag, reduce nose dive under braking, improve stability and increase ride comfort.

Stock-Height Spring Kits

Sold in sets that include correct spacers for the application.

28443 Fits 39 mm Showa forks on 87-14, FXLR and 88-04 Sportster and FXR models (except Huger, Convertible, Sport Edition and FXRT models)



moto**g**adget

Motosign Mini

It is an extremely small indicator light unit featuring 5 coloured LEDs. The device is very suitable for the motoscope mini. Length /width /depth: 46 mm, 8 mm, 13 mm; length of the connecting cable is approx. 50 cm; three threaded fastening bores (M3); weight with cable is approx. 18 grams; The device is already equipped with integrated multiplier resistors.

LED colors:

- 2 x green (indicators left/right or 1 x indicators/ 1 x warning light)
- 1 x green (idle gear)
- 1 x blue (high beam)
- 1 x red (warning light)

681477 Motosign Mini black

681478 Motosign Mini polished



652565



652566



652567

motogadget

mst speedster

The new Motogadget 49 mm Tiny Series has following functions: Speed indication up to 200 km/h (or mph), trip odo (km or mi), total odo (km or mi), maximum speed (km/h or mph), on-board voltage, time, 4 LED indicator lights.

652565 mst speedster black

652566 mst speedster polished

652567 mst vintage brass

682841 cup for motoscope tiny & mst speedster, black

682842 cup for motoscope tiny & mst speedster, polished

CATALOG'EDITION44'PAGE 17.10

motogadget

SureShift - the gear shift display with shift indicator

The SureShift is connected to the compatible electronic speedometer originally available on the vehicle or to an auxiliary speedometer (reed contact). An engine speed signal is also fed from the ignition box or ignition coil. It is then calibrated once in a learning procedure to the vehicle-specific gear ratio. It can then immediately determine the connected gear from the speed signal and engine speed. No mechanical switches or similar are required for errors in sensitive components. An exact calibration of the speed is not required. The neutral position of the gearbox is read out in parallel to the neutral indicator light over the conventional neutral switch. One engine speed value is programmed into the device for each of the two shift indicator stages. An engine speed ring can also be activated, which displays the engine speed as an LED ring. It is not used to display an absolute value, but to make the distance of the actual engine speed value to the set shift indicator engine speed ascertainable visually. That means if the circle is closed, the engine speed has reached the set shift indicator value. The driver gets a good idea for when a critical value is reached.



Measurements:

- Diameter 33 mm
- Height (casing): 14.5 mm
- Cable length: 55 cm
- Weight with cable: approx. 31 g
- Mounting: 2 x M3 threaded bushes

682649 Sure shift, black

682648 Sure shift, polished

682650 Universal bracket, polished

682651 Universal bracket, black

BOLT ON



AND RIDE



World's Finest Products For Harley-Davidsons

Custom Chrome Europe GmbH
Carl-von-Ossietzky-Straße 8
55459 Grolsheim/Germany

Phone: +49 (0) 6721 - 4 007 - 0

Fax: +49 (0) 6721 - 4 007 - 100

e-mail: info@customchrome.de

www.custom-chrome-europe.com